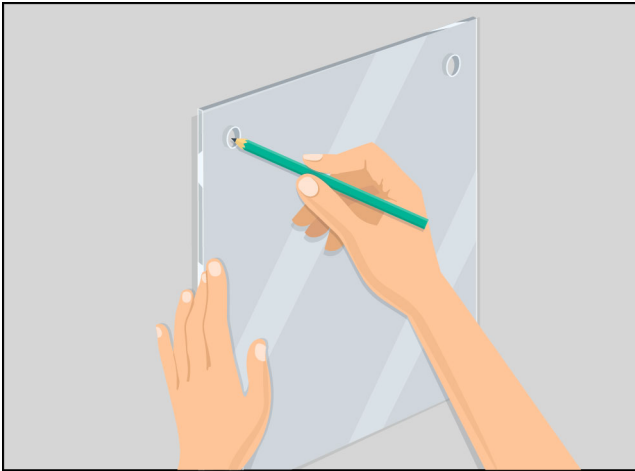


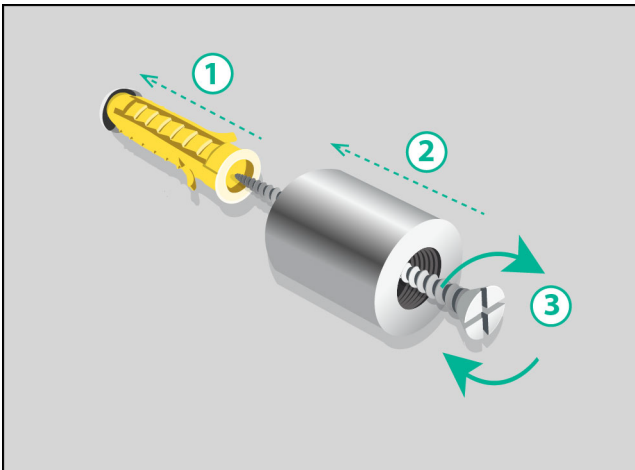
Installation with Standoffs



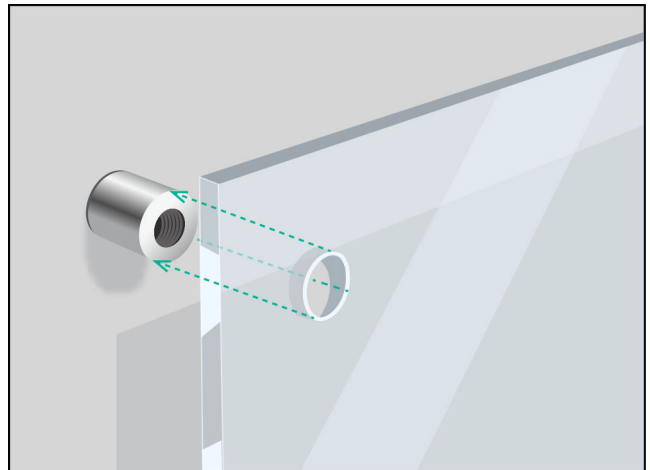
Step 1: Use the drilled holes in your signs as a reference to mark the spots on the wall.
***Be careful not to scratch the back of your sign.**



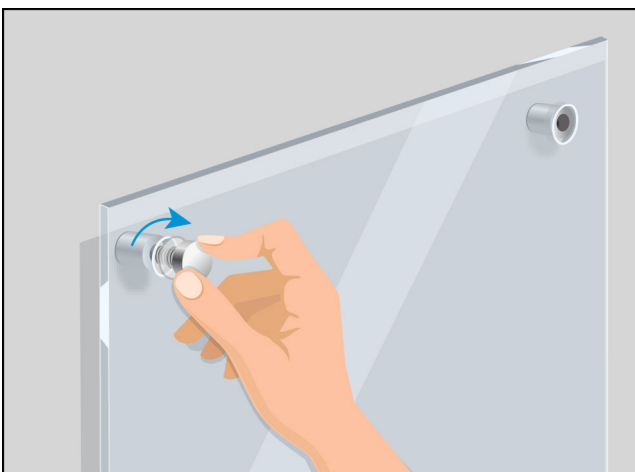
Step 2: Drill the holes.



Step 3: (1) Force the anchor into the hole;
(2) Place the spacer on the wall;
(3) Screw it in place.



Step 4: Align the drilled hole of the material with the hole of the spacer.



Step 5: Screw the cap into the hole to dead-fix the material.



Step 6: Repeat the process for as many holes as there are.