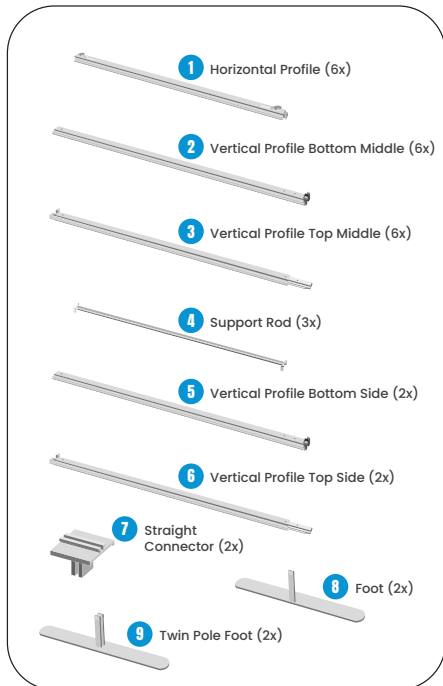
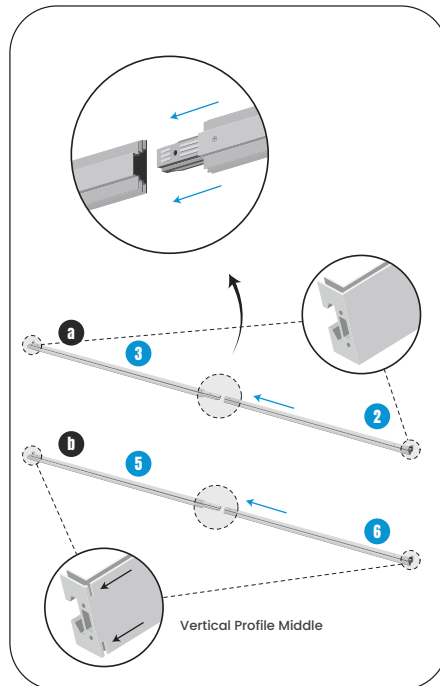


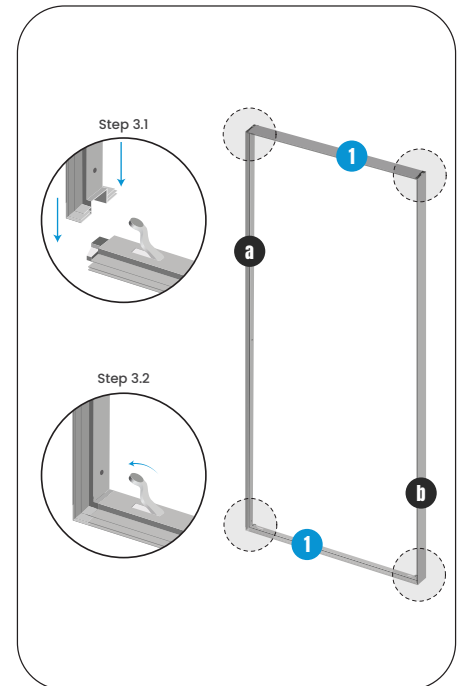
# 20ft SEG Displays Installation Guide



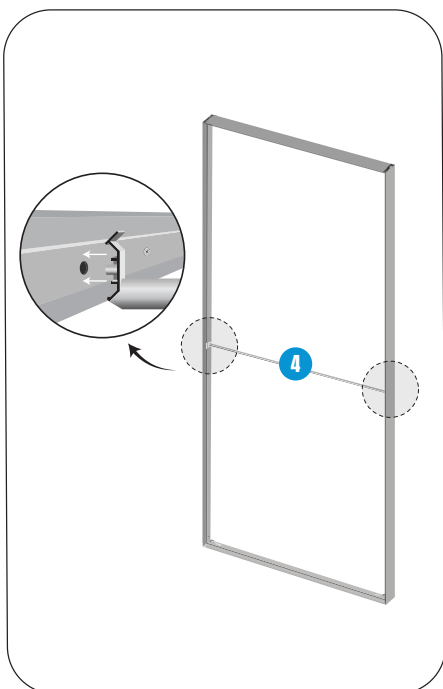
**Step 1:** Remove all the components from the case.



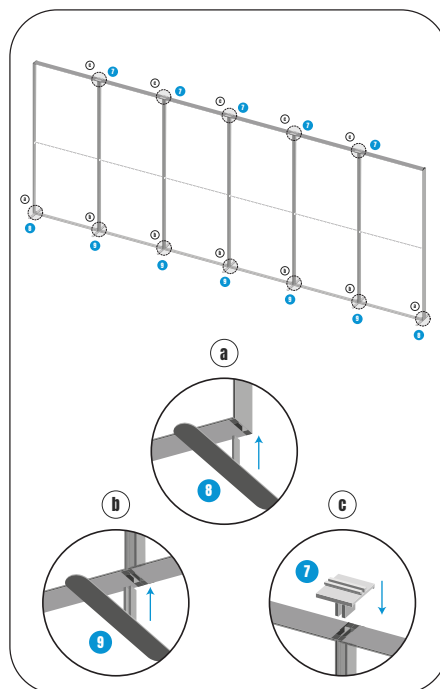
**Step 2:** Attach the vertical profile beams to create the full-length beam needed for each side.



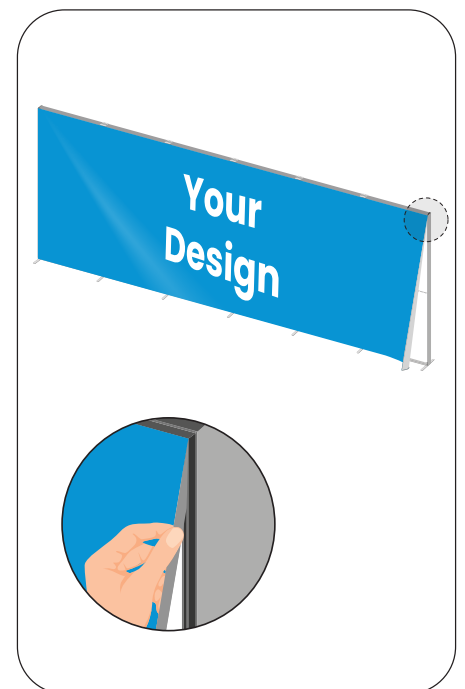
**Step 3:** Attach the left and right vertical beams to the top and bottom horizontal beams and snap them into place at each corner.



**Step 4:** Attach the support rod to its place near the center of the vertical beams.



**Step 5:** Connect the top horizontal beams to each other and slide the feet under the bottom beam of the structure to add stability.



**Step 6:** Press the banner into the frame starting at the top and moving downwards.