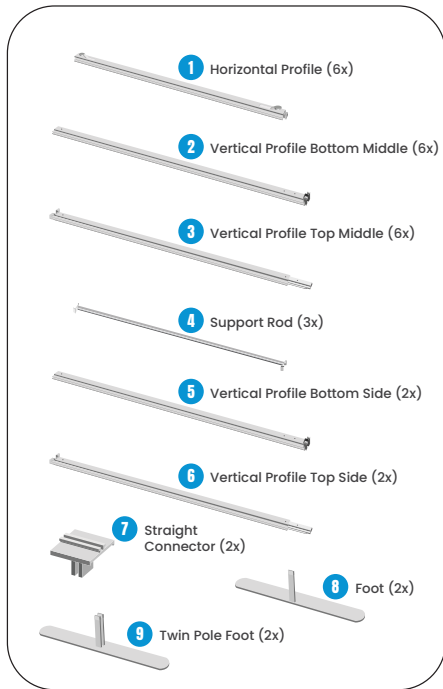
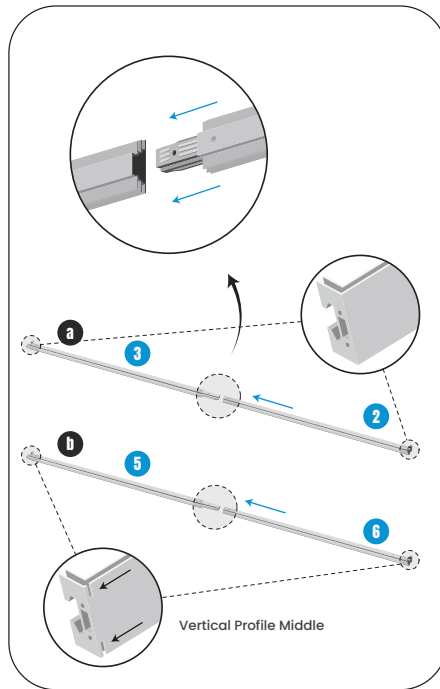


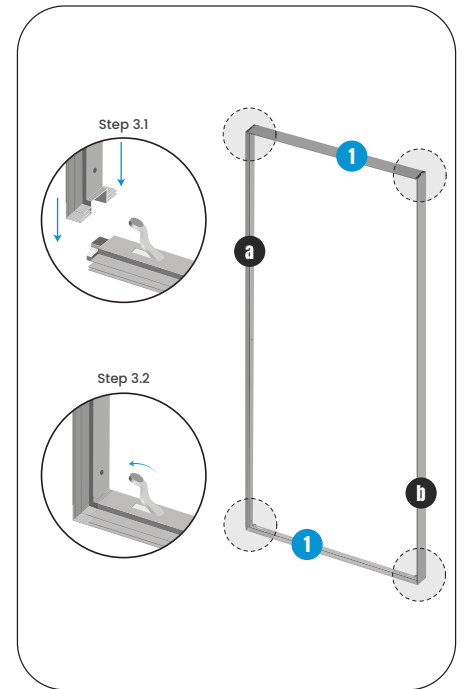
10ft SEG Displays Installation Guide



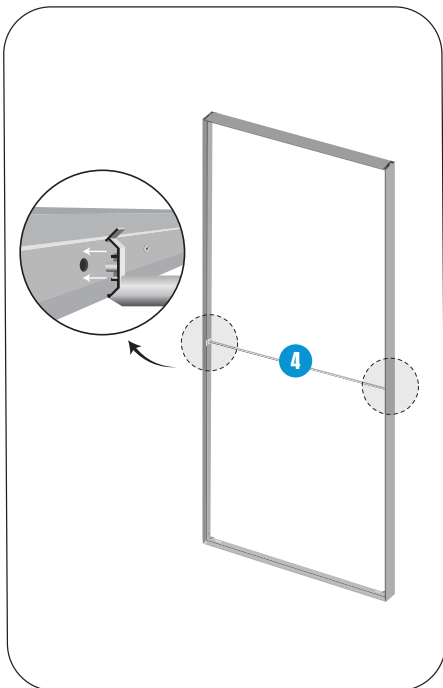
Step 1: Remove all the components from the case.



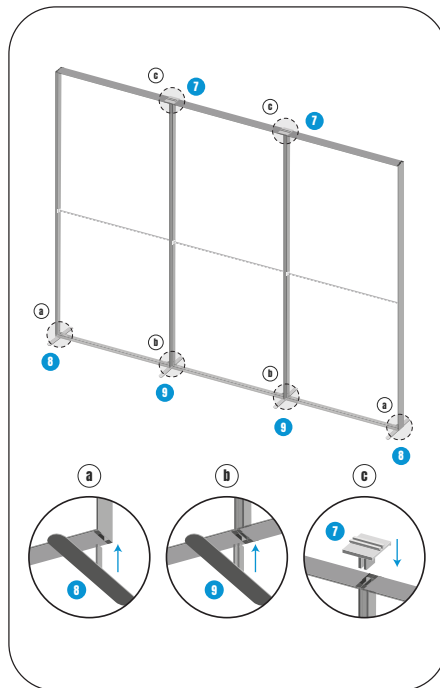
Step 2: Attach the vertical profile beams to create the full-length beam needed for each side.



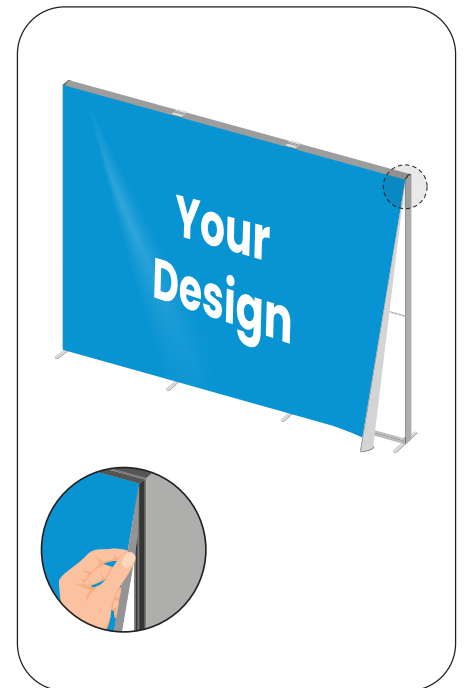
Step 3: Attach the left and right vertical beams to the top and bottom horizontal beams and snap them into place at each corner.



Step 4: Attach the support rod to its place near the center of the vertical beams.



Step 5: Connect the top horizontal beams to each other and slide the feet under the bottom beam of the structure to add stability.



Step 6: Press the banner into the frame starting at the top and moving downwards.